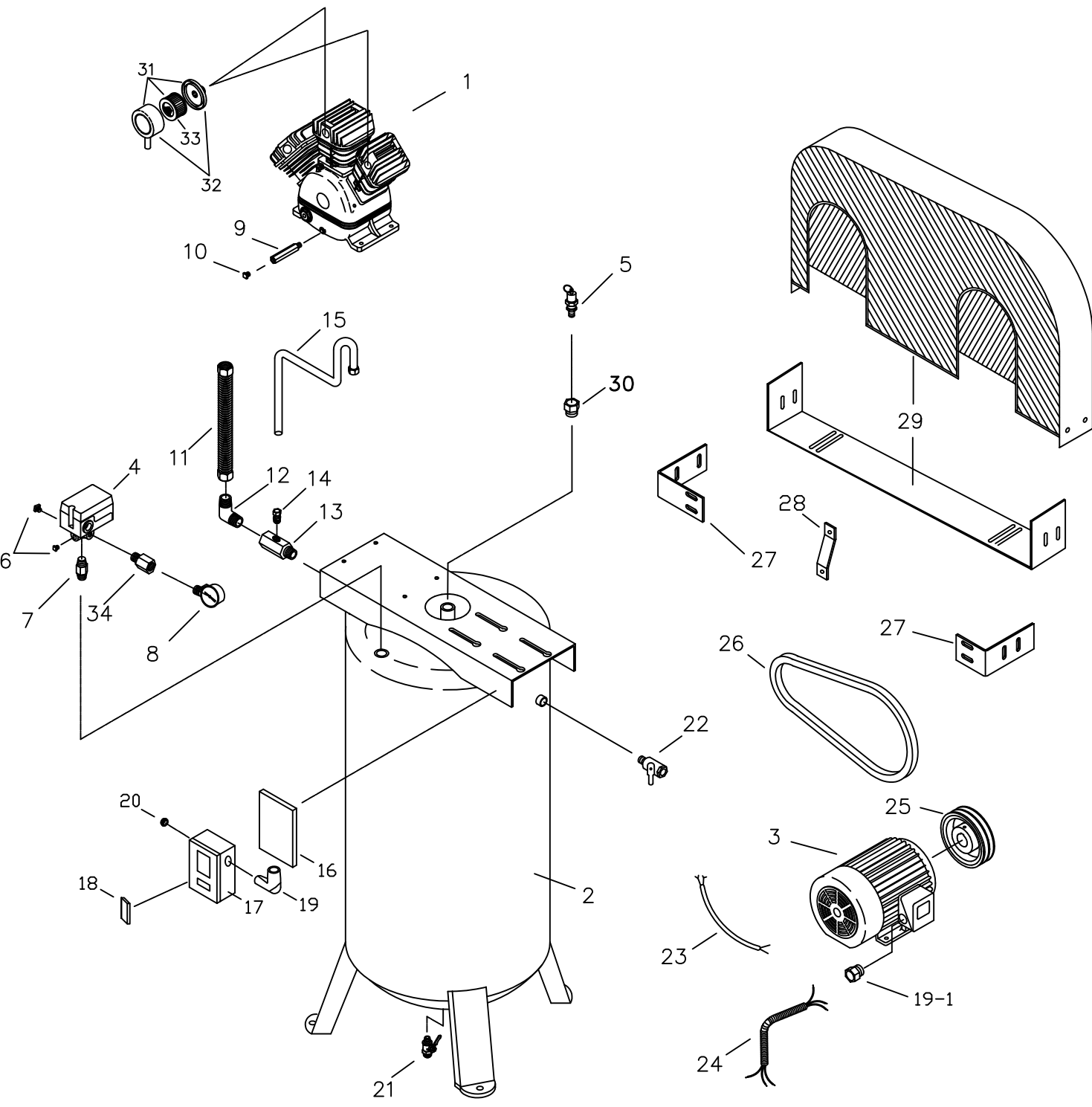


# TUE-7580VM



PUMA INDUSTRIES, INC.  
MEMPHIS, TN.  
U.S.A.

VER.: VE-001

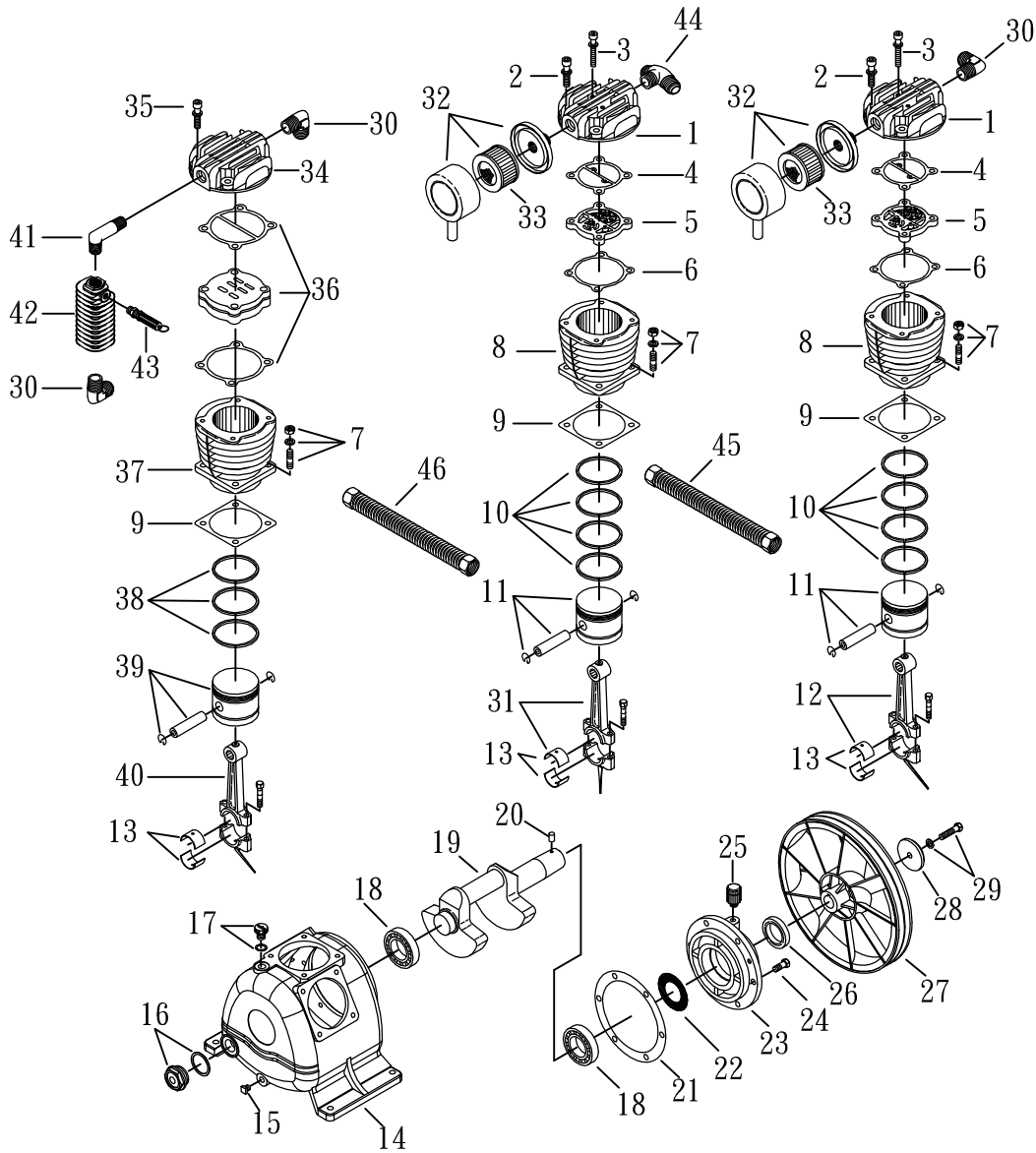
## PARTS LIST

**Model: TUE-7580VM**

**VERSION: VE-001**

REF. NO.	PARTS ID	DESCRIPTION	QUANTITY
1	TK50	PUMP	1.00
2	4001-80V	TANK	1.00
3	4027-75-41	MOTOR	1.00
4	2E21-AF357DM	PRESSURE SWITCH	1.00
5	84006010	PRESSURE RELIEF VALVE	1.00
6	2B14-ST02E	PLUG	2.00
7	2N01-001	NIPPLE	1.00
8	2D12-20V20K	PRESSURE GAUGE	1.00
9	2305008	OIL DRAIN TUBE	1.00
10	2N33-002	OIL PLUG	1.00
11	3B2-06*570	DISCHARGE TUBE	1.00
12	2N06-06T06H	ELBOW	1.00
13	CV3434M	CHECK VALVE	1.00
14	035-02RN01MN-00	TUBE FITTING	1.00
15	063-CU01X750	TUBE (CHECK VALVE - PRESSURE SWITCH)	1.00
16	3417010	BRACKET (for STARTER)	1.00
17	MS-75-1S	MAGNETIC STARTER	1.00
19-1	025A-04N-001	WIRE CLAMP (on Motor)	1.00
20	025A-10N-000	WIRE CLAMP (on Starter)	2.00
21	2413020	DRAIN VALVE	1.00
22	2413007	SERVICE VALVE	1.00
23	2E02-3530702Y2F	ELECTRIC CABLE (STARTER - P.S.)	1.00
24	025K-7580VM-R	ELECTRIC CABLE (STARTER - MOTOR)	1.00
25	2AH94	PULLEY	1.00
25	048A-H13SS-000	PULLEY HUB	1.00
26	2N31-A69	BELT (A69)	2.00
27	3427028	BRACKET - RIGHT & LEFT	2.00
28	3427015	BRACKET - CENTER	1.00
29	3427202	BRACKET - BOTTOM	1.00
29	3426024	BELT GUARD	1.00
30	050-06MN02FN	REDUCE BUSHING	1.00
31	2140009A	AIR FILTER ASSEMBLY	2.00
32	2140009	AIR FILTER HOUSING	2.00
33	1801 (2142002)	FILTER ELEMENT	2.00
34	2N02-02T02NC	ADAPTOR	1.00

# MODEL : TK-50



## SPARE PARTS LIST

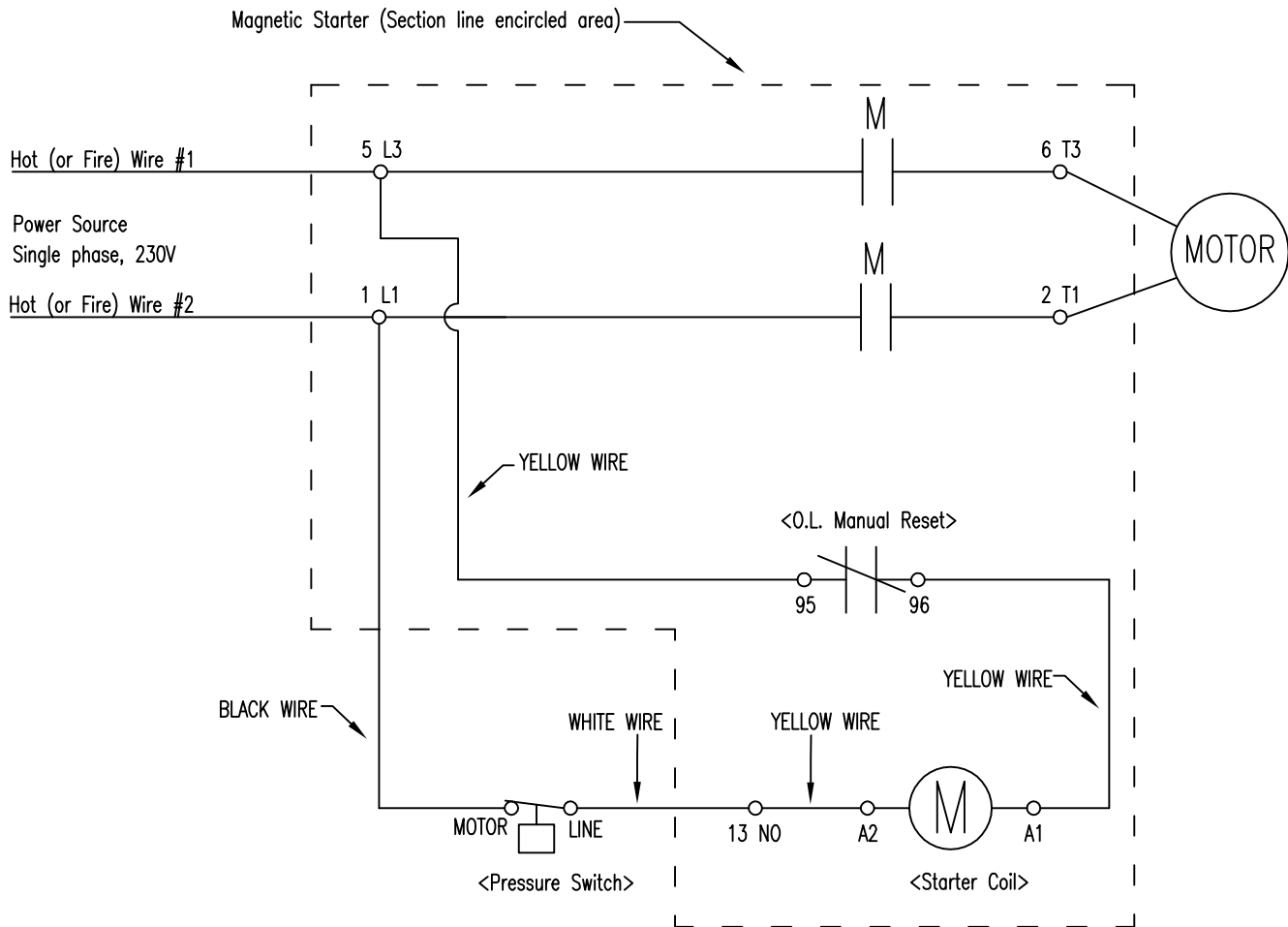
NO : MP-1102

REF. NO.	DESCRIPTION	PART NO.	QTY.	REF. NO.	DESCRIPTION	PART NO.	QTY.
1	Cylinder head	3101018	2	24	Hexagon bolt	2B00-SM10*025	6
2	Allen bolt set	3B01-M10*050V	8	25	Breathing cover	2321008	1
3	Allen bolt set	3B01-M06*055Z	4	26	Oil seal	2N50-TC30*50*11	1
4	Cylinder head gasket	2G01-011C	2	27	Pulley	3PBF-145A230	1
5	Inlet&Exhaust valve assembly	3B13-AP80	2	28	Pulley washer	2B34-13*52*14	1
6	Valve seat gasket	2G03-005C	2	29	Hexagon bolt set	3B00-SM12*050V	1
7	Double head screw set	3B11-003-A	12	30	Exhaust elbow	2N06-06T06H	3
8	Cylinder	3201015	2	31	Rod set	3B33-P2337	1
9	Cylinder gasket	2G04-009	3	32	Air filter	2140009	2
10	Piston ring set	3B32-80N	2	33	Filter element	2142002	2
11	Piston set	3B31-80L	2	34	Cylinder head	3101043	1
12	Rod set	3B33-P2346	1	35	Allen bolt set	3B01-M06*040V	4
13	Crank rod bush(2 pieces)	2316001-B	3	36	In. & Ex. valve assembly	3B13-K5065C	1
14	Crankcase	3301127	1	37	Cylinder	3201029	1
15	Oil draining plug	2N33-002	1	38	Piston ring set	3B32-65N	1
16	Oil sight gauge set	2303022B	1	39	Piston set	3B31-T65	1
17	Oil filling plug set	2319004A	1	40	Rod set	3B33-T5048	1
18	Bearing	2N35-6306	2	41	Exhaust elbow	2N06-06T06T85	1
19	Crankshaft & balancer	3304025	1	42	Spart tank	3125001	1
20	Pulley key	2N47-63*09	1	43	Pressure relief valve	2406020A	1
21	Rear bearing seat gasket	2G06-002	1	44	Exhaust three way pipe	2N09-06H06T06H2	1
22	Oil mesh	2352002	1	45	Exhaust tube set	3B2-06*235	1
23	Rear bearing seat	3311003	1	46	Exhaust tube set	3B2-06*490	1

Warning: This diagram is for your reference only. Please check with a qualified electrician for wiring to meet your local electrical wiring code.

Manufacturer assumes no responsibility for changes to factory wiring.

Electrical Circuit Diagram: (For Shihlin model : S-P40T & P40TX starter)



P.S. Ground (Green) wires are not shown in this drawing.

Additional instructions and warning:

\* The breaker size (trip rating) for Circuit Breaker (trip style) is suggested at 80A. For Fusible Switch (Melting Style), the 45A dual element time delay fuses are suggested. For correct rating of Breaker and Switch, please consult with a qualified electrician.

\*\* Minimum COPPER wire size : AWG 8 The maximum wire length allowed: 10ft. when measured from breaker/switch (power source) to magnetic starter (on unit).

\*\*\* Voltage: Single Phase 208~230V only. The voltage must be maintained at this range (208V~230V) through out entire compressor operation (from start to stop). Voltage drops below 208V or rises beyond 230V will result in motor and starter failures.

WARNING: ONLY wire power lines to magnetic starter (5L3 & 1L1). NEVER wire them to pressure switch.